

# Circular Chasers

## DBS

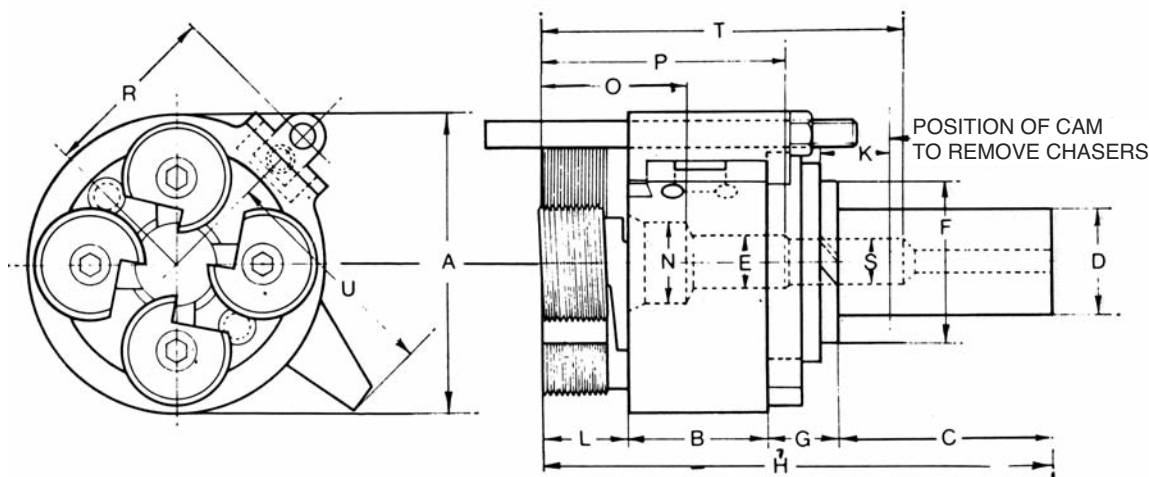
### For Single Spindle Automatic Screw Machines

The style DBS diehead has been specially developed for use with single-spindle automatic screw machines.

The outstanding success of this head is due to its rugged simplicity and its power to maintain precision under the most severe production conditions. Two adjusting screws provide simultaneous diameter adjustment, eliminating individual chaser adjustment. Close to shoulder threading is a feature of design. Right hand and left hand threads cut with the same set of chasers, different chaser blocks only being necessary.



DBS Diehead Overview



Dimension Size of Diehead	A	B	C	D	E	F	G	H	K
1/4 IN.	1 5/8	1 7/8	1 3/4*	5/8	-	7/8	15/32	3 15/32*	13/32
3/8 IN.	2 5/8	1 13/32	1 13/16	3/4	13/32	1 3/8	3/8	4 41/64	19/32
9/16 IN.	2 7/8	1 13/32	2 1/16	1	19/32	1 9/16	2 1/32	4 29/32	11/16

Chart Continued

Dimension Size of Diehead	L	N	O	P	R	S	T	U
1/4 IN.	3/8	27/64	21/32	-	1 7/64	9/32	2 5/32	1 13/32
3/8 IN.	25/32	11/16	1 23/64	1 27/64	1 43/64	17/64	3 19/64	2 1/16
9/16 IN.	25/32	25/32	1 23/64	2 23/64	1 3/4	33/64	3 31/64	2 5/32

\*A short shank can be supplied on the 1/4 DBS diehead in which case dimensions are c 1 in.

H 223/32 in. and T 1 1/2 in.

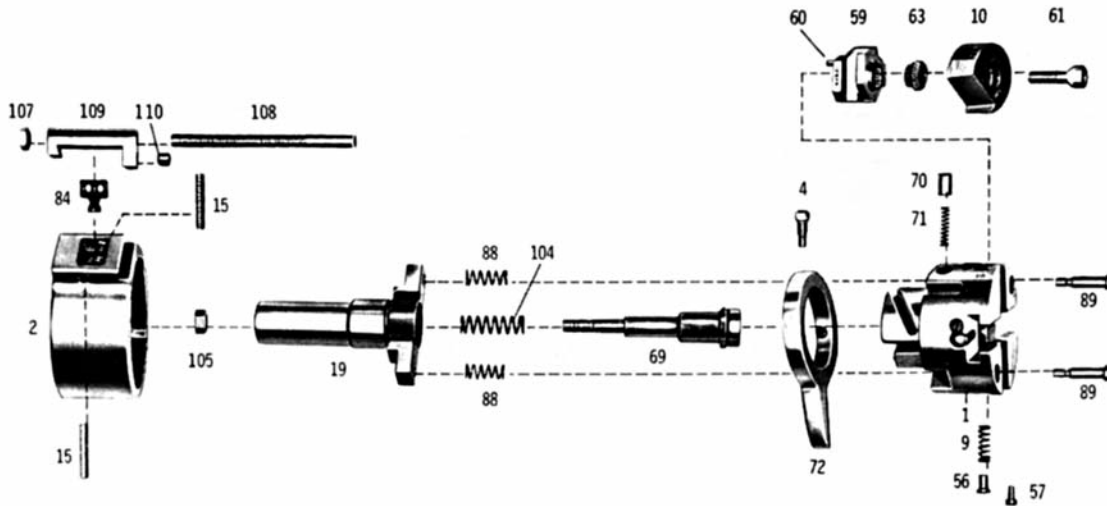
# Circular Chasers

## For Single Spindle Automatic Screw Machines Component Parts Breakdown

DBS

### Diameter Capacity

Diehead Size	No. of Chasers	Straight Threads Inches	Shank Diameter	EDP No.
DBS 3/8	4	.188-.375	.750	7017
DBS 9/16	4	.250-.562	1.000	7018



Part #	Description	3/8"		9/16"	
		Unit Reqd	EDP No.	Unit Reqd	EDP No.
DBS-1A	Body assembly	1	2993	1	3002
DBS-2A	Cup assembly	1	2994	1	3003
DBS-4	Retaining screw	1	3130	1	3130
DBS-9	Chaser spring	4	3226	4	3233
DBS-9HD	Chaser spring HD	4	3233	4	3227
DBS-15	Adjusting screw	2	3242	2	3242
DBS-19	Shank	1	3128	1	3131
DBS-56	Spring plunger/DBS-9	4	3080	4	3080
DBS-57	Spring plunger screw	4	3045	4	3045
DBS-60	Pin in block	4	3247	4	3247
DBS-61	Chaser screw	4	**	4	**
DBS-63	Serrated bushing	4	**	4	**
DBS-69	Shank bushing	1	3129	1	3132
DBS-70	Cup retaining plunger	1	3141	1	3141
DBS-71	Spring/retaining plunger	1	3142	1	3142
DBS-72A	Resetting ring assembly	1	2995	1	3004
DBS-84	Adjusting block	1	3148	1	3148
DBS-87	Resetting ring pin	2	3256	2	3133
DBS-88	Compensating float spring	2	3081	2	3140
DBS-89	Screw for float spring	2	3138	2	3137
DBS-104	Shank tension spring	1	3139	1	3134
DBS-105	Shank nut	1	3176	1	3177
DBS-107	Lock nut for trip rod	1	3253	1	3253
DBS-108	Trip rod	1	3119	1	3119
DBS-109	Stop bracket	1	3160	1	3160
DBS-110	Lock screw/stop bracket	1	3235	1	3225

\*\* See Pages 19 & 20

Circular Chasers

RSVP Tooling, Inc.

